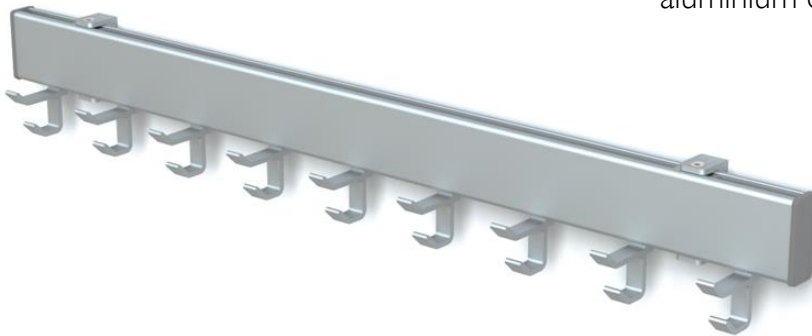


WG70x28 Wall Mounted Coat Rail

The WG70x28 wall mounted hook rails are made from high quality anodised aluminium components.

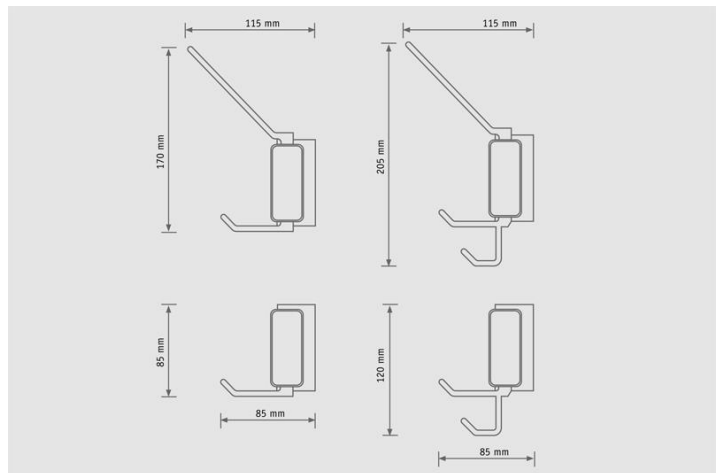


Features:

- Profile: 70mm x 28mm
- Hooks every 80-100mm.
- Multiple length options.
- Numbering & issue tags available.

Hook Options:

- Single hook & hat hook
- Double hook & hat hook
- Single hook
- Double hook



Standard Sizes:

Length mm	900	1000	1100	1200	1300	1400	1500	1600	1700	1800	1900	2000	2100
Hat hooks	5	5	6	6	7	7	8	8	9	9	10	10	11
Single hook capacity	9	10	11	12	13	14	15	16	17	18	19	20	21
Double hook capacity	18	20	22	24	26	28	30	32	34	36	38	40	42