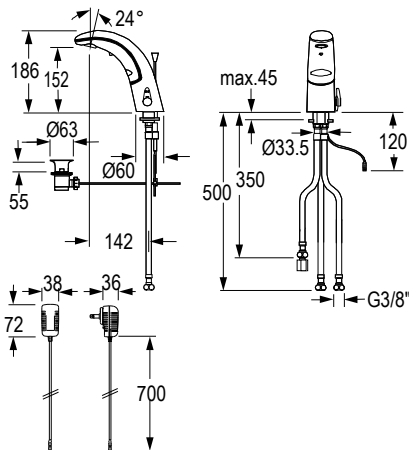


CONTI iQ lavatory faucet A30



iQ lavatory faucet A30, with IR sensor, low pressure (for open water heater), with temperature-mixing, chromed

Touchless, electronically controlled lavatory faucet:

- Modular single-piece design without separate installation box, sturdy metal housing, chromed
- Dual infrared sensors (with automatic setting feature), microprocessor
- Reliable solenoid valve ROBUST (minimal level of water pressure surge) and economic aerator, cascade
- Cold water supply connection and decentralized water treatment (boiler)
- With flexible high-pressure hoses, flow limiters and built-in filters
- Temperature adjustable or fixable (vandal-resistant construction)
- Temporary-off (cleaning) and continuous water flow time (filling of basin) activated by Click-plus
- Continuous water flow time and hygienic flush time adjustable with function key
- Follow-up time and sensor sensitivity adjustable with function key
- 12, 24 or 48-hour hygienic flush activatable with function key
- Installation similar to conventional single-lever faucet
- Compatible with CNX and Service APP: Control of stored operational data, settings and control functions

Click: Recessed function key - without additional functions
 Click-plus: Protruding function key Click-plus (continuous-on, temporary-off)
 Battery: 6 V Lithium 2 CR5 - commercial; life time up to 4 years
 Mains supply: Plug-in transformer 110-240 V 50-60 Hz / 6 V
 VARIOconnect: For single and multiple power supply and data connection (Connection CNX and Service APP - see accessories)

Operating pressure: 0,3-10 bar
 Flow rate (approx.): 5 l/min / 1,3 gpm (3 bar)
 Water temperature (max.): 80 °C
 Aerator: Flow Straightener, FS Dripless
 Flexible hoses: 2x500 mm / 1x350 mm
 Angle valve connection: G 3/8
 Built-in filter: 0,5 mm mesh size
 Sensor sensitivity: Automatic self-adapting sensor technology
 Follow-up time: 1 s pre-set (adjustable with function key 0-10 s)
 Continuous water flow and hygienic flush time: 2 min pre-set (adjustable with function key 0,5-20 min)
 Temporary-off: 2 min (fixed)
 Engineering standards: DIN EN 200; Noise class I; P-IX 9576 / IA; CE

Note: When integrated into the CNX Water Management System, the CNX Converter 6 V must be ordered separately.
 When using the Service APP, the BLE Converter must be ordered separately.
 Only possible with mains and VARIOconnect versions.

Versions		Function key Click-plus	Function key Click
Power supply	Drain assembly	Article number	Article number
Battery	Without	100.120.11	100.020.11
	With	100.121.11	100.021.11
Mains operation	Without	100.130.11	100.030.11
	With	100.131.11	100.031.11
VARIOconnect	Without	100.136.11	100.036.11
	With	100.137.11	100.037.11