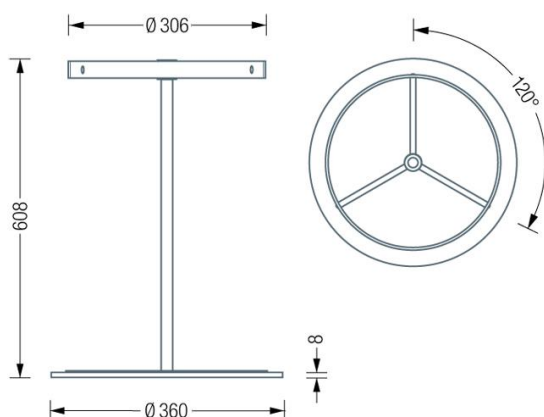


SST Umbrella Stand



The PHOS SST umbrella stand with all-round, three-part stainless steel ring and drip tray made of black silicone.

- Product reference: SST
- Hand ground solid stainless steel in a brushed finish
- Base plate: Steel, electro-galvanised and hard powder coated with a light structure.
- Base colour: grey aluminium, RAL9007, other colours available (see below)
- Transparent, polyurethane floor protectors.
- Connection of base plate to cloakroom element with self-locking M10 screw connection.



The base plate is available in the standard colour grey (RAL9007) and in other colors as well as in solid stainless steel (please specify when ordering)

Grey RAL9007	Stainless Steel	White RAL9010
		
Yellow RAL1004	Orange RAL2004	Red RAL3003
		
Green RAL6018	Blue RAL5011	Black RAL9011
		