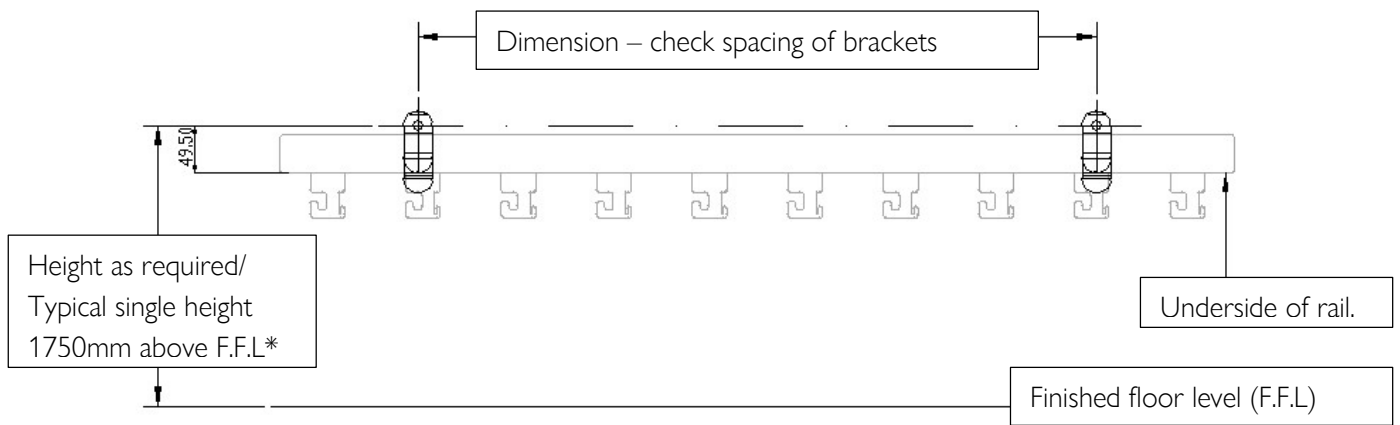


WG240

Wall mounted hanging rail / shelf.

ADDITIONAL SITE-SPECIFIC NOTES

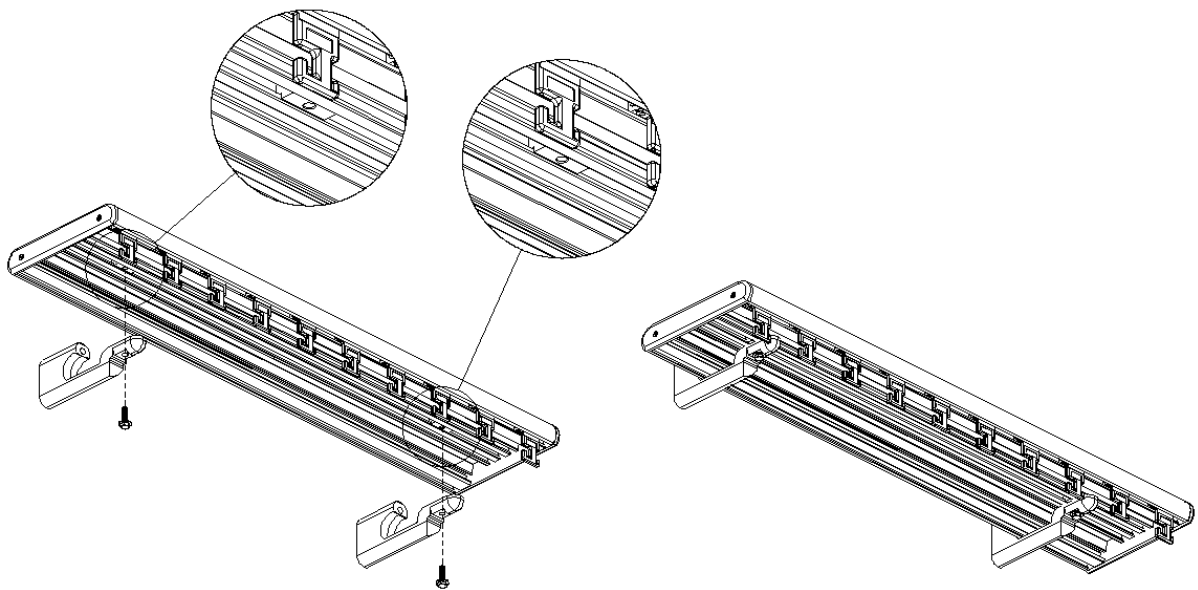
Read in conjunction with drawing numbers:



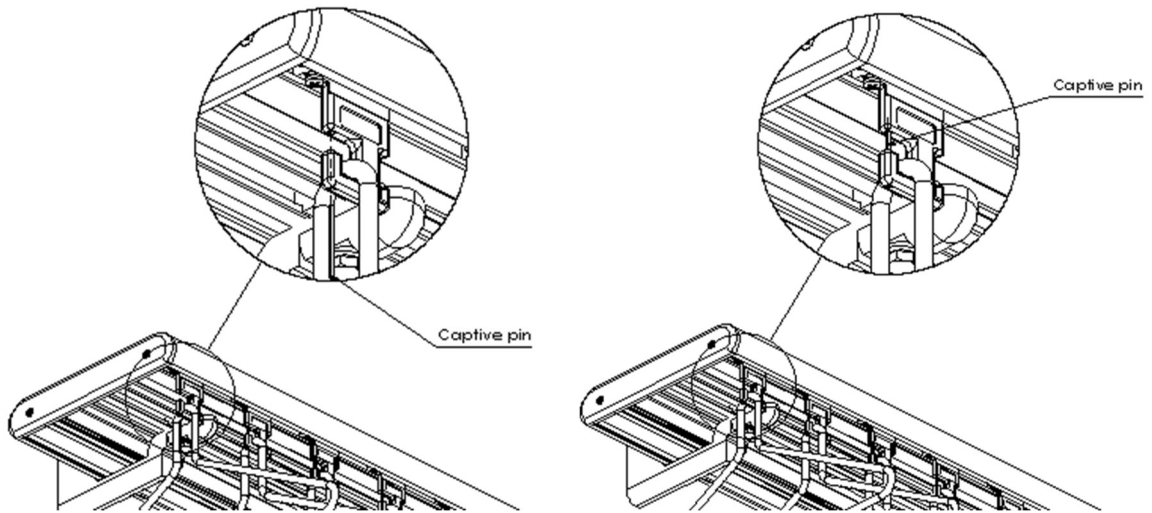
Mark out level of rail (see above detail)

Drill fixing holes suitable diameter for either Rawl plugs for a brick wall or for fixing into wooden studwork.

Fix brackets to wall.



Space out fixing nuts within rail to line up with brackets, then place rail on brackets, fix the rail from below using M8 bolts provided into the fixing nuts (see above). Ensure rail is firmly fixed.



Add hangers, insert captive pins if required (as above).