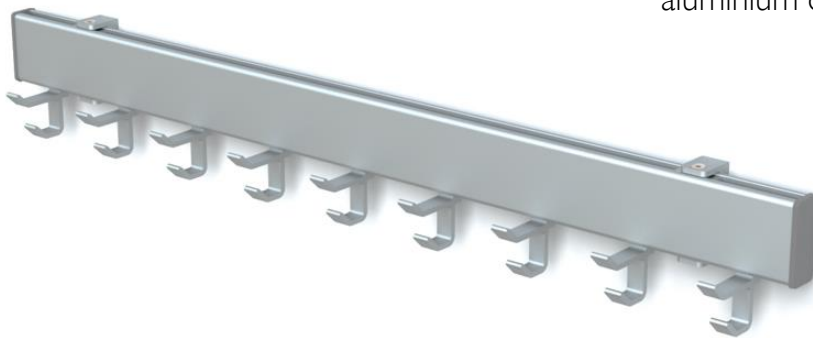


WG70x28 Wall Mounted Coat Rail

The WG70x28 wall mounted hook rails are made from high quality anodised aluminium components.

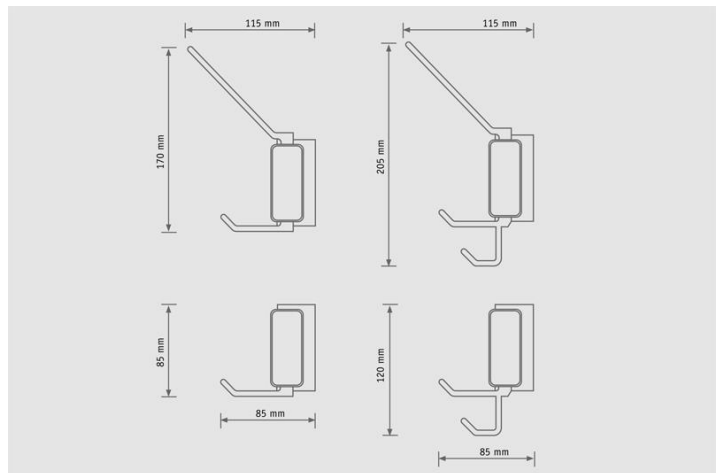


Features:

- Profile: 70mm x 28mm
- Hooks every 80-100mm.
- Multiple length options.
- Numbering & issue tags available.

Hook Options:

- Single hook & hat hook
- Double hook & hat hook
- Single hook
- Double hook



Standard Sizes:

| Length mm | 900 | 1000 | 1100 | 1200 | 1300 | 1400 | 1500 | 1600 | 1700 | 1800 | 1900 | 2000 | 2100 |
|----------------------|-----|------|------|------|------|------|------|------|------|------|------|------|------|
| Hat hooks | 5 | 5 | 6 | 6 | 7 | 7 | 8 | 8 | 9 | 9 | 10 | 10 | 11 |
| Single hook capacity | 9 | 10 | 11 | 12 | 13 | 14 | 15 | 16 | 17 | 18 | 19 | 20 | 21 |
| Double hook capacity | 18 | 20 | 22 | 24 | 26 | 28 | 30 | 32 | 34 | 36 | 38 | 40 | 42 |