

CONTI iQ lavatory faucet A10



iQ lavatory faucet A10, with IR sensor, with temperature-mixing, chromed

Touchless, electronically controlled lavatory faucet:

- Modular single-piece design without separate installation box, sturdy metal housing, chromed
- Dual infrared sensors (with automatic setting feature), microprocessor
- Reliable solenoid valve ROBUST (minimal level of water pressure surge) and economic aerator
- Hot and cold water supply connection with flexible high-pressure hoses
- Check valves and built-in filters
- Temperature adjustable or fixable (vandal-resistant construction)
- Adjustable hot water limitation (mechanically)
- Temporary-off (cleaning) and continuous water flow time (filling of basin) activated by Click-plus
- Continuous water flow time and hygienic flush time adjustable with function key
- Follow-up time and sensor sensitivity adjustable with function key
- 12, 24 or 48-hour hygienic flush activatable with function key
- Installation similar to conventional single-lever faucet
- Compatible with CNX and Service APP: Control of stored operational data, settings and control functions

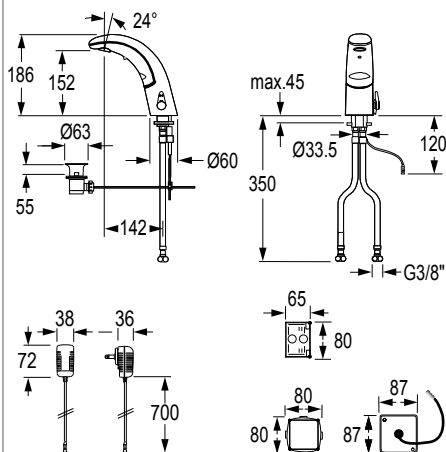
- Click: Recessed function key - without additional functions
- Click-plus: Protruding function key Click-plus (continuous-on, temporary-off)
- Battery: 6 V Lithium 2 CR5 - commercial; life time up to 4 years
- Mains supply: Plug-in transformer 110-240 V 50-60 Hz / 6 V
- Concealed mains supply: flush-mounted power supply 110-240 V 50-60 Hz / 6 V including box and cover
- VARIOconnect: For single and multiple power supply and data connection (Connection CNX and Service APP - see accessories)

- Operating pressure: 0,3-10 bar
- Flow rate (approx.): 6 l/min / 1,6 gpm (3 bar)
- Water temperature (max.): 80 °C
- Aerator: Economic aerator, CASCADE (self-cleaning)
- Flexible hoses: 350 mm
- Angle valve connection: G 3/8
- Built-in filters: 0,5 mm mesh size
- Sensor sensitivity: Automatic self-adapting sensor technology
- Follow-up time: 1 s pre-set (adjustable with function key 0-10 s)
- Continuous water flow and hygienic flush time: 2 min pre-set (adjustable with function key 0,5-20 min)
- Temporary-off: 2 min (fixed)
- Engineering standards: DIN EN 200; Noise class I; P-IX 9576 / IA;C€

Note: When integrated into the CNX Water Management System, the CNX Converter 6 V must be ordered separately.

When using the Service APP, the BLE Converter must be ordered separately.

Only possible with mains and VARIOconnect versions.



Version		Function key Click-plus	Function key Click
Power supply	Drain assembly	Article number	Article number
Battery	Without	100.100.11	100.000.11
	With	100.101.11	100.001.11
Mains operation	Without	100.110.11	100.010.11
	With	100.111.11	100.011.11
VARIOconnect	Without	100.116.11	100.016.11
	With	100.117.11	100.017.11
Concealed mains power supply	Without	100.160.11	100.060.11
	With	100.161.11	100.061.11