

CONTI iQ lavatory faucet A20



iQ lavatory faucet A20, with IR sensor, without temperature-mixing (for cold or premixed water), chromed

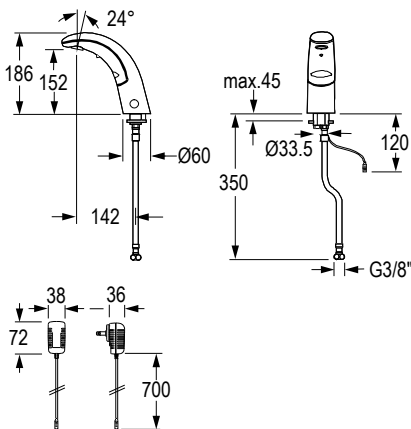
Touchless, electronically controlled lavatory faucet:

- Modular single-piece design without separate installation box, sturdy metal housing, chromed
- Dual infrared sensors (with automatic setting feature), microprocessor
- Reliable solenoid valve ROBUST (minimal level of water pressure surge) and economic aerator
- Cold water supply connection with flexible hose and built-in filter
- Temporary-off (cleaning) and continuous water flow time (filling of basin) activated by Click-plus
- Continuous water flow time and hygienic flush time adjustable with function key
- Follow-up time and sensor sensitivity adjustable with function key
- 12, 24 or 48-hour hygienic flush activatable with function key
- Installation similar to conventional single-lever faucet
- Compatible with CNX and Service APP: Control of stored operational data, settings and control functions

Click: Recessed function key - without additional functions
 Click-plus: Protruding function key Click-plus (continuous-on, temporary-off)
 Battery: 6 V Lithium 2 CR5 - commercial; life time up to 4 years
 Mains supply: Plug-in transformer 110-240 V 50-60 Hz / 6 V
 VARIOconnect: For single and multiple power supply and data connection (Connection CNX and Service APP - see accessories)

Operating pressure: 0,3-10 bar
 Flow rate (approx.): 6 l/min / 1,6 gpm (3 bar)
 Water temperature (max.): 80 °C
 Aerator: Economic aerator, CASCADE (self-cleaning)
 Flexible hose: 350 mm
 Angle valve connection: G 3/8
 Built-in filter: 0,5 mm mesh size
 Sensor sensitivity: Automatic self-adapting sensor technology
 Follow-up time: 1 s pre-set (adjustable with function key 0-10 s)
 Continuous water flow and hygienic flush time: 2 min pre-set (adjustable with function key 0,5-20 min)
 Temporary-off: 2 min (fixed)
 Engineering standards: DIN EN 200; Noise class I; P-IX 9576 / IA; CE

Note: When integrated into the CNX Water Management System, the CNX Converter 6 V must be ordered separately.
 When using the Service APP, the BLE Converter must be ordered separately.
 Only possible with mains and VARIOconnect versions.



Version		Function key Click-plus	Function key Click
Power supply	Drain assembly	Article number	Article number
Battery	Without	100.140.11	100.040.11
Mains operation	Without	100.150.11	100.050.11
VARIOconnect	Without	100.156.11	100.056.11