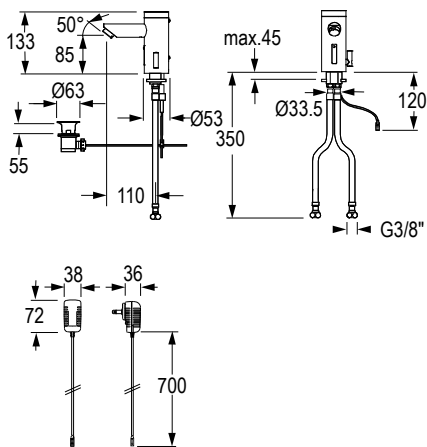


CONTI  lumino lavatory faucet L10i



lumino lavatory faucet L10i, with IR sensor, with temperature-mixing, with temperature indication via LED light ring, chromed

Touchless, electronically controlled lavatory faucet:


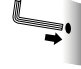


- ▲ Modular single-piece design without separate installation box, sturdy brass housing, chromed
- ▲ Infrared sensors with automatic setting feature, microprocessor
- ▲ Reliable solenoid valve ROBUST (minimal level of water pressure surge) and economic aerator
- ▲ Hot and cold water supply connection with flexible high-pressure hoses
- ▲ Check valves and built-in filters
- ▲ Temperature adjustable or fixable (vandal-resistant construction)
- ▲ Adjustable hot water limitation (mechanically)
- ▲ Temperature indication via LED light ring
- ▲ The colour gradient of the light ring is switchable (red-white-blue or red-violet-blue)
- ▲ Ambient illuminating (permanent white light during stand-by) activatable, adjustable luminosity
- ▲ calibration of the colour position is adjustable when scald protection is on
- ▲ Temporary-off (cleaning) and continuous water flow time (filling of basin) activated by Click-plus
- ▲ Continuous water flow time and hygienic flush time adjustable with function key
- ▲ Follow-up time and sensor sensitivity adjustable with function key
- ▲ 12, 24 or 48-hour hygienic flush activatable with function key
- ▲ Installation similar to conventional single-lever faucet
- ▲ Compatible with CNX and Service APP: control of stored operational data, settings and control functions

- Click: Recessed function key - without additional functions
- Click-plus: Protruding function key Click-plus (continuous-on, temporary-off)
- Mains supply: Plug-in transformer 110-240 V 50/60 Hz / 6 V
- VARIOconnect: For single and multiple power supply and data connection (Connection CNX and Service APP - see accessories)


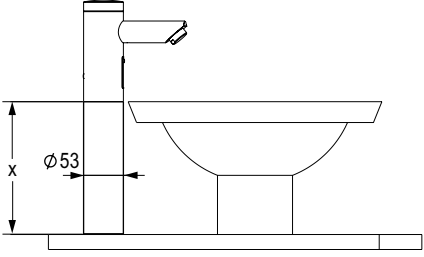
- Operating pressure: 0,3-10 bar
- Flow rate: Approx. 6,5 l/min / 1,7 gpm (3 bar)
- Water temperature (max.): 80 °C
- Aerator: Economic aerator, CASCADE (self-cleaning)
- Flexible hoses: 350 mm
- Angle valve connection: G 3/8
- Built-in filters: 0,5 mm mesh size
- Sensor sensitivity: Automatic self-adapting sensor technology
- Follow-up time: 1 s pre-set (adjustable with function key 0-10 s)
- Continuous water flow and hygienic flush time: 2 min pre-set (adjustable with function key 0,5-20 min)
- Temporary-off: 2 min (fixed)
- Engineering standards: DIN EN 200; Noise class I; P-IX 9575 / IA; CE

Optional: Extension kit for countertop basins (see accessories)

Note: When integrated into the CNX Water Management System, the CNX Converter 6 V must be ordered separately.
When using the Service APP, the BLE Converter must be ordered separately.

Version		 Function key Click-plus	 Function key Click
Power supply	Drain assembly	Article number	Article number
 Mains operation 	Without	121.110.11	121.010.11
	With	121.111.11	121.011.11

CONTI  Accessories lino lavatory faucets

		<p>Faucet extension for lino lavatory faucets</p> <p>Extension suitable for L10, L13, L20, L10i</p> <ul style="list-style-type: none"> ▲ One-piece design without concealed parts ▲ Sturdy brass, chromed <p>Set consisting of:</p> <ul style="list-style-type: none"> ▲ Extension ▲ Threaded rod ▲ Connection hoses and filters <p>Only for faucets without drain assembly!</p>	
Description	Length (x)	Colour	Article number
Faucet extension lino	177 mm	Chromed	550.034.11
	56 mm	Chromed	550.034.12