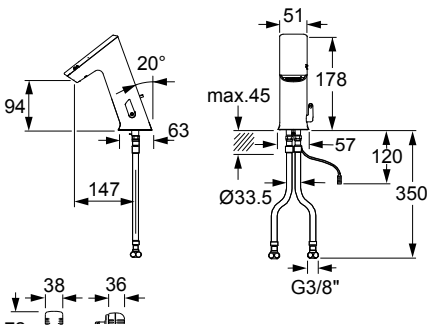


CONTI  ultra lavatory faucet GM10 EXPERT



ultra lavatory faucet GM10 EXPERT, with IR sensor, with temperature-mixing, solar, chromed

Touchless, electronically controlled lavatory faucet:

- Continuous water flow via integrated piezo button
- Modular single-piece design without separate installation box, sturdy metal housing, chromed
- LCD display: shows the temperature and water flow time
- Dual infrared sensors (with automatic setting feature), microprocessor
- Reliable solenoid valve ROBUST (minimal level of water pressure surge)
- Vandal-resistant aerator (replaceable with integrated tool)
- Hot and cold water supply connection with flexible high-pressure hoses
- Check valves and built-in filters
- Temperature adjustable or fixable (vandal-resistant construction)
- Adjustable hot water limitation (mechanically)
- TwistStop: integrated automatic shut-off for facilitate replacing or cleaning the filter (no shut-off to angle valves required)
- One Tool Service / all system parts accessible from above
- 12 or 24-hour hygienic flush activatable with Touch
- Automatic energy saving function (solar) and safety shutdown
- Integrated battery unit
- Compatible with CNX and Service APP: control of stored operational data, settings and control functions



Solar: Photovoltaic cell in combination with 4x1,5 V Alkaline AA batteries (support batteries) commercial; life time up to 8 years

- Operating pressure:** 0,3-10 bar
- Flow rate:** Approx. 6 l/min (3 bar)
- Water temperature (max.):** 80 °C
- Aerator:** Aerator RC
- Flexible hoses:** 350 mm
- Angle valve connection:** G 3/8
- Built-in filters:** 0,5 mm mesh size
- Sensor sensitivity:** Automatic self-adapting sensor technology
- Follow-up time:** 1 s pre-set (adjustable with Touch 0-10 s)
- Continuous water flow and hygienic flush time:** 2 min pre-set (adjustable with Touch 0,5-20 min)
- Temporary-off:** 2 min (fixed)
- Engineering standards:** DIN EN 200; **CE**

Optional: Valve unit with multi laminar spray head 2 l/min (see accessories)

Note: When integrated into the CNX Water Management System, the CNX Converter 6 V must be ordered separately.

When using the Service APP, the BLE Converter must be ordered separately.

Power supply	Drain assembly	Colour	Article number
 Solar 	Without	Chrom	162.108.11
	With	Chrom	162.109.11