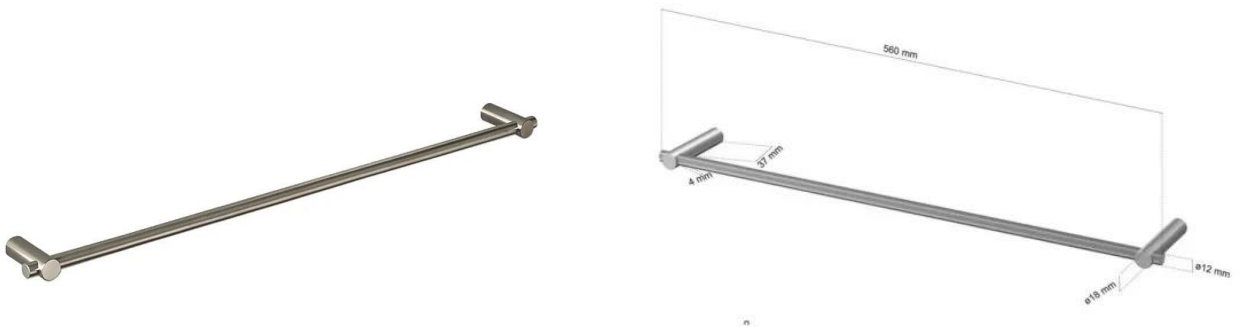


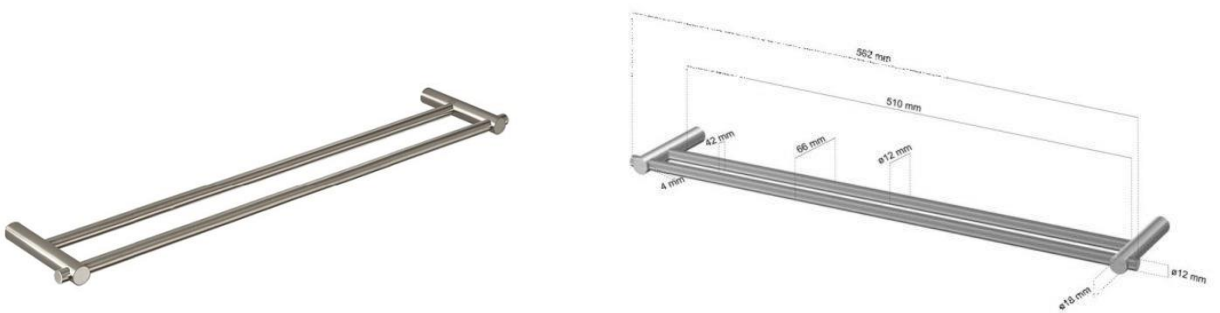
Cool Line Towel Rails

Cool Line CL-227 single towel rail with concealed fixings.



- Brushed finish ref: CL-227.71
- Polished finish ref: CL-227.91
- Material: Stainless Steel
- 560mm long

Cool Line CL-224 Double towel rail with concealed fixings.



- Brushed finish ref: CL-224.71
- Polished finish ref: CL-224.91
- Material: Stainless Steel
- 560mm long